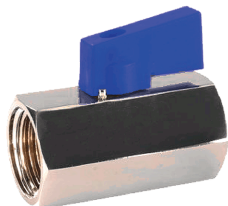


Opening / Closing: The most common application of these Valves is in installations where the flow is interrupted regularly

It is not recommended to use them in partly open services for long periods of time and under high pressure drops.



Application:

- Plumbing
- Irrigation
- Pipes
- Circuits

STANDARD PARAMETERS

Structure: See attached diagrams **A** or **B**

Handle: Short lever

IP protection: IP56

Usage limits:

Maximum nominal pressure: 16 bar

Working temperature: 0 to 90°C (Without steam)

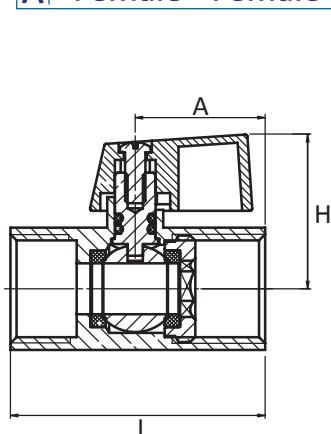
Threaded connection: ¼" BSP, ⅜" BSP or ½" BSP

MATERIALS

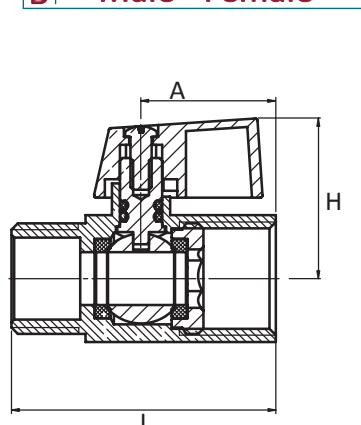
Body: Brass nickle plated

Handle: Epoxy coated brass

A Female - Female



B Male - Female



DIMENSIONS (mm)						WEIGHT (g)
Structure	Threads	Max PN	A	L	H	
Female - Female	¼" BSP	16 bar	23	43	28.5	110
	⅜" BSP	16 bar	23	44.5	28.5	110
	½" BSP	16 bar	26	50	30	125
Male - Female	¼" BSP	16 bar	23	44.5	28.5	95
	⅜" BSP	16 bar	23	44.5	28.5	95
	½" BSP	16 bar	25	50	28.5	114

How to order

1. Structure

A B

2. Threaded connection

¼" BSP ⅜" BSP 1 ½" BSP
 ⅜" BSP 1" BSP 2" BSP
 ½" BSP 1 ¼" BSP

MV0116 -

1 _____ 2 _____

www.termometros.com

